

Certified to be the drawing referred to in the specification herewith annexed.

Witnessed: *Washburn* July 17, 1915.

Witnesses:
Mary K. Flaherty
N. M. Test

Inventor:
Ray H. Muccott

[Signature]

165326
(3)2

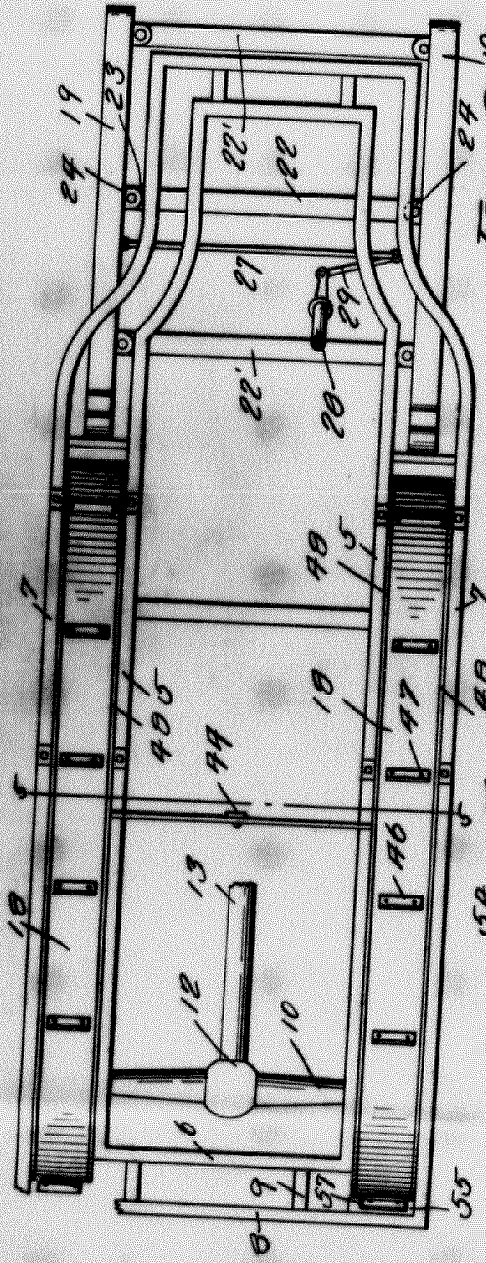


FIG. 2.

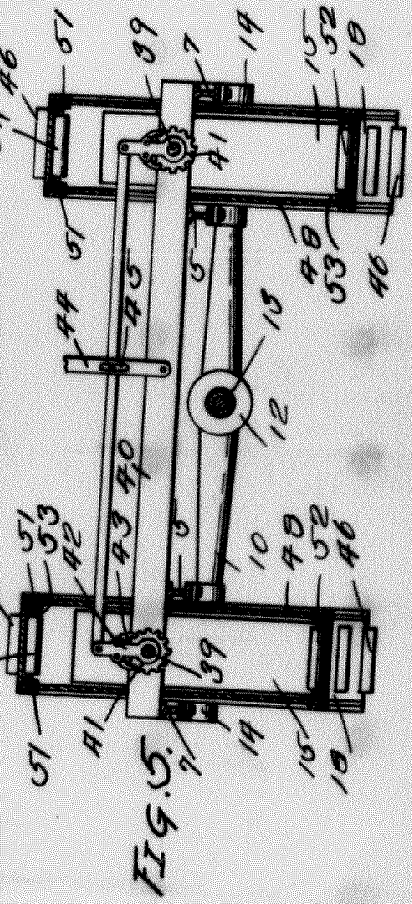


FIG. 5.

Certified to be the drawing referred to in the specification hereto annexed.

Washoe, July 17, 1905

Witnesses:
Mary K. Glaherty
Mary M. Teet.

Inventor
Ray H. Muscott

[Signature]

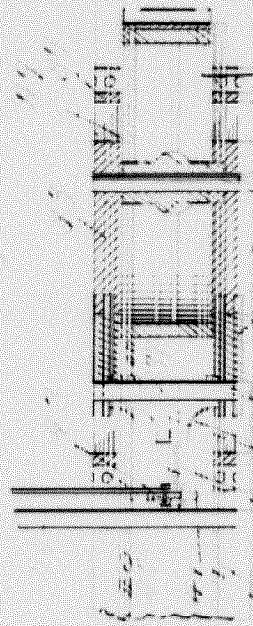
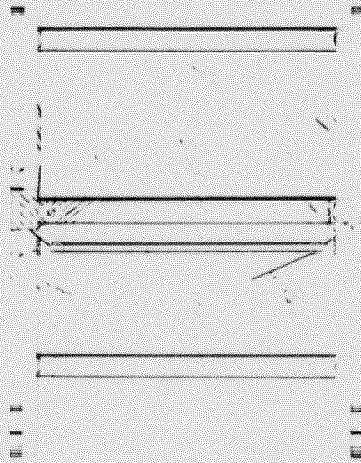
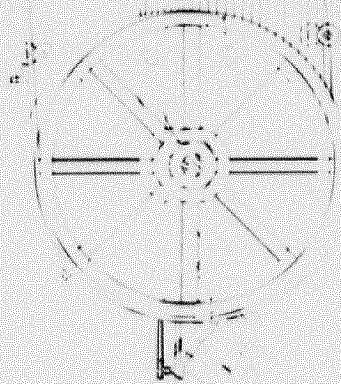
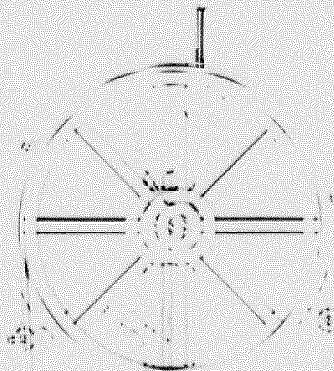


FIG. 6

FIG. 7

FIG. 8

FIG. 9

INVENTOR

Wm. H. ...
...

...

ATTORNEY

...
...