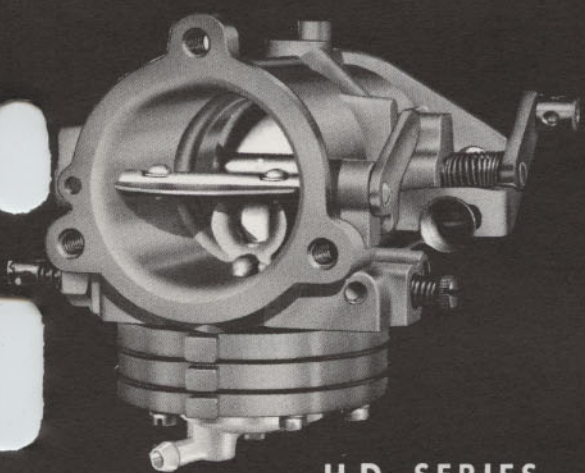
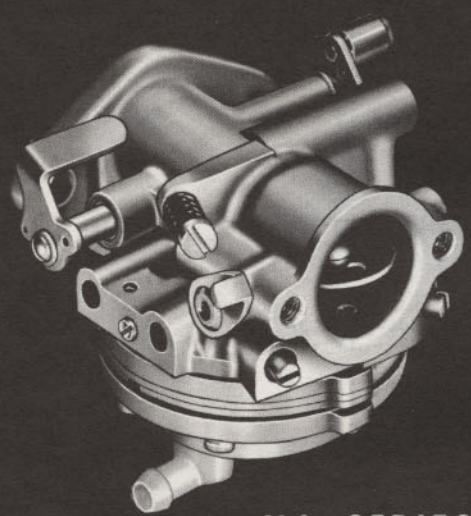


SNOWMOBILE CARBURETORS

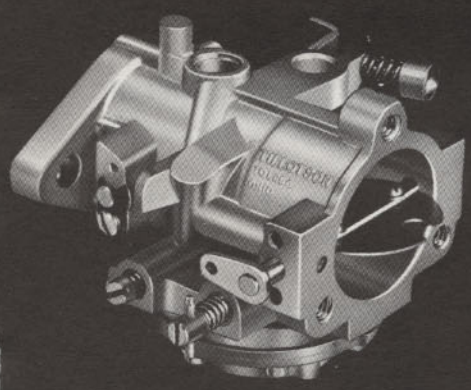
# SNOWMOBILE CARBURETORS



HD SERIES



HL SERIES



HR SERIES



## DESCRIPTION

|        |                |  |
|--------|----------------|--|
| HD-15A | 1-1/2" VENTURI | 1. Internal fuel pump pulse connection |
| HD-15B | 1-1/2" VENTURI | 1. Internal fuel pump pulse connection |
| HD-15C | 1-1/2" VENTURI | 1. Internal fuel pump pulse connection |
| HD-15D | 1-1/2" VENTURI | 1. Internal fuel pump pulse connection |
| HD-15E | 1-1/2" VENTURI | 1. Internal fuel pump pulse connection |
| HD-15F | 1-1/2" VENTURI | 1. Internal fuel pump pulse connection |
| HD-15G | 1-1/2" VENTURI | 1. Internal fuel pump pulse connection |
| HD-15H | 1-1/2" VENTURI | 1. Internal fuel pump pulse connection |
| HD-15I | 1-1/2" VENTURI | 1. Internal fuel pump pulse connection |
| HD-15J | 1-1/2" VENTURI | 1. Internal fuel pump pulse connection |
| HD-15K | 1-1/2" VENTURI | 1. Internal fuel pump pulse connection |
| HD-15L | 1-1/2" VENTURI | 1. Internal fuel pump pulse connection |
| HD-15M | 1-1/2" VENTURI | 1. Internal fuel pump pulse connection |
| HD-15N | 1-1/2" VENTURI | 1. Internal fuel pump pulse connection |
| HD-15O | 1-1/2" VENTURI | 1. Internal fuel pump pulse connection |
| HD-15P | 1-1/2" VENTURI | 1. Internal fuel pump pulse connection |
| HD-15Q | 1-1/2" VENTURI | 1. Internal fuel pump pulse connection |
| HD-15R | 1-1/2" VENTURI | 1. Internal fuel pump pulse connection |
| HD-15S | 1-1/2" VENTURI | 1. Internal fuel pump pulse connection |
| HD-15T | 1-1/2" VENTURI | 1. Internal fuel pump pulse connection |
| HD-15U | 1-1/2" VENTURI | 1. Internal fuel pump pulse connection |
| HD-15V | 1-1/2" VENTURI | 1. Internal fuel pump pulse connection |
| HD-15W | 1-1/2" VENTURI | 1. Internal fuel pump pulse connection |
| HD-15X | 1-1/2" VENTURI | 1. Internal fuel pump pulse connection |
| HD-15Y | 1-1/2" VENTURI | 1. Internal fuel pump pulse connection |
| HD-15Z | 1-1/2" VENTURI | 1. Internal fuel pump pulse connection |

**Tillotson**<sup>®</sup> DIVISION OF BORG-WARNER CORPORATION  
 761 BERDAN AVE., TOLEDO, OHIO 43612 **BORG-WARNER**<sup>®</sup>



# Tillotson® SNOWMOBILE CARBURETORS

## DESCRIPTION

### HD SERIES

**NOTE:** It is important to always use the exact carburetor model recommended by the engine and vehicle manufacturer.

The use of an incorrect model or a model not recommended by the vehicle or engine manufacturer, in some cases, may void the engine warranty.

So, for model recommendation, see the engine or vehicle manufacturer.

|                |   |               |  |
|----------------|---|---------------|--|
| <b>HD-4A</b>   | <b>1-1/2" VENTURI</b><br>1. External fuel pump pulse connection | <b>HD-15A</b> | <b>1-1/2" VENTURI</b><br>1. External fuel pump pulse connection  |
| <b>HD-6A</b>   | <b>1-1/2" VENTURI</b><br>1. External fuel pump pulse connection | <b>HD-16A</b> | <b>1-1/2" VENTURI</b><br>1. External fuel pump pulse connection  |
| <b>HD-6BX</b>  | <b>1-1/2" VENTURI</b><br>1. External fuel pump pulse connection | <b>HD-17A</b> | <b>1-1/2" VENTURI</b><br>1. External fuel pump pulse connection  |
| <b>HD-7A</b>   | <b>1-1/2" VENTURI</b><br>1. External fuel pump pulse connection | <b>HD-18A</b> | <b>1-1/2" VENTURI</b><br>1. External fuel pump pulse connection  |
| <b>HD-7AX</b>  | <b>1-1/2" VENTURI</b><br>1. External fuel pump pulse connection | <b>HD-19A</b> | <b>1-1/2" VENTURI</b><br>1. External fuel pump pulse connection  |
| <b>HD-8A</b>   | <b>1-1/2" VENTURI</b><br>1. Internal fuel pump pulse connection | <b>HD-20A</b> | <b>1-1/2" VENTURI</b><br>1. Internal fuel pump pulse connection<br>2. Fuel re-circulating fitting                            |
| <b>HD-9A</b>   | <b>1-1/2" VENTURI</b><br>1. External fuel pump pulse connection | <b>HD-20B</b> | <b>1-1/2" VENTURI</b><br>1. Internal fuel pump pulse connection<br>2. Fuel re-circulating fitting<br>3. With shackled needle |
| <b>HD-10AX</b> | <b>1-1/2" VENTURI</b><br>1. External fuel pump pulse connection | <b>HD-21A</b> | <b>1-1/2" VENTURI</b><br>1. Internal fuel pump pulse connection<br>2. Fuel re-circulating fitting                            |
| <b>HD-11A</b>  | <b>1-1/2" VENTURI</b><br>1. No fuel pump                        | <b>HD-21B</b> | <b>1-1/2" VENTURI</b><br>1. Internal fuel pump pulse connection<br>2. Fuel re-circulating fitting<br>3. With shackled needle |
| <b>HD-13A</b>  | <b>1-1/2" VENTURI</b><br>1. External fuel pump pulse connection |               |  |
| <b>HD-14A</b>  | <b>1-1/2" VENTURI</b><br>1. External fuel pump pulse connection |               |  |



|               |  |               |   |
|---------------|--|---------------|---|
| <b>HD-22A</b> | <b>1-1/2" VENTURI</b><br>1. Internal fuel pump pulse connection<br>2. Fuel re-circulating fitting                            | <b>HD-35A</b> | <b>1-1/2" VENTURI</b><br>1. External fuel pump pulse connection                                   |
| <b>HD-22B</b> | <b>1-1/2" VENTURI</b><br>1. Internal fuel pump pulse connection<br>2. Fuel re-circulating fitting<br>3. With shackled needle | <b>HD-36A</b> | <b>1-1/2" VENTURI</b><br>1. External fuel pump pulse connection<br>2. Fuel re-circulating fitting |
| <b>HD-23A</b> | <b>1-1/2" VENTURI</b><br>1. External fuel pump pulse connection  | <b>HD-37A</b> | <b>1-1/2" VENTURI</b><br>1. Special for OMC   |
| <b>HD-24A</b> | <b>1-1/2" VENTURI</b><br>1. External fuel pump pulse connection  | <b>HD-38A</b> | <b>1-1/2" VENTURI</b><br>1. External fuel pump pulse connection                                   |
| <b>HD-25A</b> | <b>1-1/2" VENTURI</b><br>1. External fuel pump pulse connection  | <b>HD-39A</b> | <b>1-1/2" VENTURI</b><br>1. External fuel pump pulse connection<br>2. Fuel re-circulating fitting |
| <b>HD-26A</b> | <b>1-1/2" VENTURI</b><br>1. External fuel pump pulse connection  | <b>HD-40A</b> | <b>1-1/2" VENTURI</b><br>1. External fuel pump pulse connection                                   |
| <b>HD-27A</b> | <b>1-1/2" VENTURI</b><br>1. External fuel pump pulse connection  | <b>HD-40B</b> | <b>1-1/2" VENTURI</b><br>1. External fuel pump pulse connection                                   |
| <b>HD-28A</b> | <b>1-1/2" VENTURI</b><br>1. External fuel pump pulse connection<br>2. Fuel re-circulating fitting                            | <b>HD-41A</b> | <b>1-1/2" VENTURI</b><br>1. Internal fuel pump pulse connection                                   |
| <b>HD-29A</b> | <b>1-1/2" VENTURI</b><br>1. External fuel pump pulse connection  | <b>HD-42A</b> | <b>1-1/2" VENTURI</b><br>1. Special for Cushman Motors Div, OMC                                   |
| <b>HD-30A</b> | <b>1-1/2" VENTURI</b><br>1. External fuel pump pulse connection<br>2. Fuel re-circulating fitting                            | <b>HD-44A</b> | <b>1-1/2" VENTURI</b><br>1. External fuel pump pulse connection<br>2. Fuel re-circulating fitting |
| <b>HD-31A</b> | <b>1-1/2" VENTURI</b><br>1. External fuel pump pulse connection  | <b>HD-45A</b> | <b>1-1/2" VENTURI</b><br>1. External fuel pump pulse connection<br>2. Fuel re-circulating fitting |
| <b>HD-32A</b> | <b>1-1/2" VENTURI</b><br>1. External fuel pump pulse connection  | <b>HD-46A</b> | <b>1-1/2" VENTURI</b><br>1. External fuel pump pulse connection                                   |
| <b>HD-33A</b> | <b>1-1/2" VENTURI</b><br>1. External fuel pump pulse connection<br>2. Fuel re-circulating fitting                            | <b>HD-47A</b> | <b>1-1/2" VENTURI</b><br>1. External fuel pump pulse connection                                   |
| <b>HD-34A</b> | <b>1-1/2" VENTURI</b><br>1. External fuel pump pulse connection<br>2. Fuel re-circulating fitting                            | <b>HD-48A</b> | <b>1-1/2" VENTURI</b><br>1. External fuel pump pulse connection                                   |



|               |   |               |   |
|---------------|---|---------------|---|
| <b>HD-49A</b> | <b>1-1/2" VENTURI</b> <ol style="list-style-type: none"><li>1. External fuel pump pulse connection</li><li>2. Fuel re-circulating fitting</li></ol> | <b>HD-61A</b> | <b>1-1/2" VENTURI</b> <ol style="list-style-type: none"><li>1. External fuel pump pulse connection</li><li>2. Fuel re-circulating fitting</li></ol> |
| <b>HD-51A</b> | <b>1-1/2" VENTURI</b> <ol style="list-style-type: none"><li>1. External fuel pump pulse connection</li></ol>  | <b>HD-62A</b> | <b>1-1/2" VENTURI</b> <ol style="list-style-type: none"><li>1. External fuel pump pulse connection</li><li>2. Fuel re-circulating fitting</li></ol> |
| <b>HD-52A</b> | <b>1-1/2" VENTURI</b> <ol style="list-style-type: none"><li>1. External fuel pump pulse connection</li><li>2. Fuel re-circulating fitting</li></ol> | <b>HD-63A</b> | <b>1-1/2" VENTURI</b> <ol style="list-style-type: none"><li>1. External fuel pump pulse connection</li><li>2. Fuel re-circulating fitting</li></ol> |
| <b>HD-52B</b> | <b>1-1/2" VENTURI</b> <ol style="list-style-type: none"><li>1. External fuel pump pulse connection</li><li>2. Fuel re-circulating fitting</li></ol> | <b>HD-64A</b> | <b>1-1/2" VENTURI</b> <ol style="list-style-type: none"><li>1. External fuel pump pulse connection</li><li>2. Fuel re-circulating fitting</li></ol> |
| <b>HD-53A</b> | <b>1-1/2" VENTURI</b> <ol style="list-style-type: none"><li>1. External fuel pump pulse connection</li><li>2. Fuel re-circulating fitting</li></ol> | <b>HD-65A</b> | <b>1-1/2" VENTURI</b> <ol style="list-style-type: none"><li>1. External fuel pump pulse connection</li></ol>  |
| <b>HD-53B</b> | <b>1-1/2" VENTURI</b> <ol style="list-style-type: none"><li>1. External fuel pump pulse connection</li><li>2. Fuel re-circulating fitting</li></ol> | <b>HD-66A</b> | <b>1-1/2" VENTURI</b> <ol style="list-style-type: none"><li>1. Internal fuel pump pulse connection</li><li>2. Fuel re-circulating fitting</li></ol> |
| <b>HD-54A</b> | <b>1-1/2" VENTURI</b> <ol style="list-style-type: none"><li>1. External fuel pump pulse connection</li></ol>  | <b>HD-67A</b> | <b>1-1/2" VENTURI</b> <ol style="list-style-type: none"><li>1. External fuel pump pulse connection</li><li>2. Fuel re-circulating fitting</li></ol> |
| <b>HD-54B</b> | <b>1-1/2" VENTURI</b> <ol style="list-style-type: none"><li>1. External fuel pump pulse connection</li></ol>  | <b>HD-68A</b> | <b>1-1/2" VENTURI</b> <ol style="list-style-type: none"><li>1. External fuel pump pulse connection</li></ol>  |
| <b>HD-55A</b> | <b>1-1/2" VENTURI</b> <ol style="list-style-type: none"><li>1. External fuel pump pulse connection</li><li>2. Fuel re-circulating fitting</li></ol> | <b>HD-69A</b> | <b>1-1/2" VENTURI</b> <ol style="list-style-type: none"><li>1. External fuel pump pulse connection</li><li>2. Fuel re-circulating fitting</li></ol> |
| <b>HD-56A</b> | <b>1-1/2" VENTURI</b> <ol style="list-style-type: none"><li>1. External fuel pump pulse connection</li></ol>  | <b>HD-70A</b> | <b>1-1/2" VENTURI</b> <ol style="list-style-type: none"><li>1. External fuel pump pulse connection</li><li>2. Fuel re-circulating fitting</li></ol> |
| <b>HD-57A</b> | <b>1-1/2" VENTURI</b> <ol style="list-style-type: none"><li>1. External fuel pump pulse connection</li></ol>  | <b>HD-71A</b> | <b>1-1/2" VENTURI</b> <ol style="list-style-type: none"><li>1. Internal fuel pump pulse connection</li></ol>  |
| <b>HD-59A</b> | <b>1-1/2" VENTURI</b> <ol style="list-style-type: none"><li>1. External fuel pump pulse connection</li><li>2. Fuel re-circulating fitting</li></ol> | <b>HD-72A</b> | <b>1-1/2" VENTURI</b> <ol style="list-style-type: none"><li>1. Internal fuel pump pulse connection</li></ol>  |
| <b>HD-60A</b> | <b>1-1/2" VENTURI</b> <ol style="list-style-type: none"><li>1. External fuel pump pulse connection</li><li>2. Fuel re-circulating fitting</li></ol> | <b>HD-73A</b> | <b>1-1/2" VENTURI</b> <ol style="list-style-type: none"><li>1. Internal fuel pump pulse connection</li><li>2. Fuel re-circulating fitting</li></ol> |



- HD-74A**      **1-1/2" VENTURI**  
1. Internal fuel pump pulse connection
- HD-75A**      **1-1/2" VENTURI**  
1. External fuel pump pulse connection
- HD-76A**      **1-1/2" VENTURI**  
1. External fuel pump pulse connection
- HD-77A**      **1-1/2" VENTURI**  
1. External fuel pump pulse connection  
2. Fuel re-circulating fitting
- HD-78A**      **1-1/2" VENTURI**  
1. External fuel pump pulse connection
- HD-79A**      **1-1/2" VENTURI**  
1. External fuel pump pulse connection



# Tillotson® SNOWMOBILE CARBURETORS

## DESCRIPTION

### HL - SERIES

**NOTE:** It is important to always use the exact carburetor model recommended by the engine and vehicle manufacturer.

The use of an incorrect model or a model not recommended by the vehicle or engine manufacturer, in some cases, may void the engine warranty.

So, for model recommendation, see the engine or vehicle manufacturer.

|                 |   |                 |   |
|-----------------|---|-----------------|---|
| <b>HL-158AX</b> | <b>13/16" VENTURI</b><br>1. Internal fuel pump pulse connection | <b>HL-233B</b>  | <b>7/8" VENTURI</b><br>1. Internal fuel pump pulse connection                                   |
| <b>HL-167A</b>  | <b>13/16" VENTURI</b><br>1. Internal fuel pump pulse connection | <b>HL-240A</b>  | <b>7/8" VENTURI</b><br>1. Internal fuel pump pulse connection                                   |
| <b>HL-186B</b>  | <b>7/8" VENTURI</b><br>1. Internal fuel pump pulse connection   | <b>HL-242A</b>  | <b>7/8" VENTURI</b><br>1. External fuel pump pulse connection                                   |
| <b>HL-187A</b>  | <b>7/8" VENTURI</b><br>1. Internal fuel pump pulse connection   | <b>HL-252A</b>  | <b>7/8" VENTURI</b><br>1. External fuel pump pulse connection                                   |
| <b>HL-187B</b>  | <b>7/8" VENTURI</b><br>1. Internal fuel pump pulse connection   | <b>HL-263A</b>  | <b>7/8" VENTURI</b><br>1. External fuel pump pulse connection                                   |
| <b>HL-192A</b>  | <b>7/8" VENTURI</b><br>1. External fuel pump pulse connection   | <b>HL-268A</b>  | <b>7/8" VENTURI</b><br>1. External fuel pump pulse connection                                   |
| <b>HL-207B</b>  | <b>7/8" VENTURI</b><br>1. External fuel pump pulse connection   | <b>HL-279A</b>  | <b>7/8" VENTURI</b><br>1. External fuel pump pulse connection<br>2. Fuel re-circulating fitting |
| <b>HL-209A</b>  | <b>7/8" VENTURI</b><br>1. Internal fuel pump pulse connection   | <b>HL-279AX</b> | <b>7/8" VENTURI</b><br>1. External fuel pump pulse connection                                   |
| <b>HL-210A</b>  | <b>3/4" VENTURI</b><br>1. Internal fuel pump pulse connection   | <b>HL-280A</b>  | <b>20 mm VENTURI</b><br>1. External fuel pump pulse connection                                  |
| <b>HL-211B</b>  | <b>7/8" VENTURI</b><br>1. Internal fuel pump pulse connection   | <b>HL-283A</b>  | <b>7/8" VENTURI</b><br>1. Internal fuel pump pulse connection                                   |
| <b>HL-214B</b>  | <b>7/8" VENTURI</b><br>1. External fuel pump pulse connection   | <b>HL-285A</b>  | <b>7/8" VENTURI</b><br>1. External fuel pump pulse connection                                   |
| <b>HL-216A</b>  | <b>7/8" VENTURI</b><br>1. Internal fuel pump pulse connection   |                 |   |



# Tillotson® SNOWMOBILE CARBURETORS

## DESCRIPTION

### HR - SERIES

**NOTE:** It is important to always use the exact carburetor model recommended by the engine and vehicle manufacturer.

The use of an incorrect model or a model not recommended by the vehicle or engine manufacturer, in some cases, may void the engine warranty.

So, for model recommendation, see the engine or vehicle manufacturer.

|               |  |               |  |
|---------------|--|---------------|--|
| <b>HR-1A</b>  | <b>1-3/32" VENTURI</b><br>1. Internal fuel pump pulse connection | <b>HR-12A</b> | <b>1-3/16" VENTURI</b><br>1. External fuel pump pulse connection                                   |
| <b>HR-2A</b>  | <b>1-3/32" VENTURI</b><br>1. Internal fuel pump pulse connection | <b>HR-13A</b> | <b>1-3/16" VENTURI</b><br>1. External fuel pump pulse connection                                   |
| <b>HR-2B</b>  | <b>1-3/32" VENTURI</b><br>1. Internal fuel pump pulse connection | <b>HR-14A</b> | <b>1-3/16" VENTURI</b><br>1. External fuel pump pulse connection                                   |
| <b>HR-3B</b>  | <b>1-3/32" VENTURI</b><br>1. External fuel pump pulse connection | <b>HR-15A</b> | <b>1-3/16" VENTURI</b><br>1. Internal fuel pump pulse connection                                   |
| <b>HR-4A</b>  | <b>1-3/32" VENTURI</b><br>1. Internal fuel pump pulse connection | <b>HR-16B</b> | <b>1-9/32" VENTURI</b><br>1. Internal fuel pump pulse connection<br>2. Fuel re-circulating fitting |
| <b>HR-5A</b>  | <b>1-3/32" VENTURI</b><br>1. Internal fuel pump pulse connection | <b>HR-17B</b> | <b>1-9/32" VENTURI</b><br>1. Internal fuel pump pulse connection<br>2. Fuel re-circulating fitting |
| <b>HR-6A</b>  | <b>1-3/32" VENTURI</b><br>1. External fuel pump pulse connection | <b>HR-18A</b> | <b>1-3/16" VENTURI</b><br>1. External fuel pump pulse connection                                   |
| <b>HR-7A</b>  | <b>1-3/16" VENTURI</b><br>1. Internal fuel pump pulse connection | <b>HR-19A</b> | <b>1-3/16" VENTURI</b><br>1. External fuel pump pulse connection                                   |
| <b>HR-8A</b>  | <b>1-3/16" VENTURI</b><br>1. External fuel pump pulse connection | <b>HR-20A</b> | <b>1-3/16" VENTURI</b><br>1. Internal fuel pump pulse connection                                   |
| <b>HR-9A</b>  | <b>1-3/16" VENTURI</b><br>1. Internal fuel pump pulse connection | <b>HR-21A</b> | <b>1-3/16" VENTURI</b><br>1. Internal fuel pump pulse connection                                   |
| <b>HR-10A</b> | <b>1-3/16" VENTURI</b><br>1. Internal fuel pump pulse connection | <b>HR-22A</b> | <b>1-3/16" VENTURI</b><br>1. External fuel pump pulse connection                                   |
| <b>HR-11A</b> | <b>1-3/32" VENTURI</b><br>1. External fuel pump pulse connection |               |  |



|               |  |               |  |
|---------------|--|---------------|--|
| <b>HR-23A</b> | <b>1-3/16" VENTURI</b><br>1. External fuel pump pulse connection                                   | <b>HR-38A</b> | <b>1-3/16" VENTURI</b><br>1. External fuel pump pulse connection<br>2. Fuel re-circulating fitting |
| <b>HR-24A</b> | <b>1-3/16" VENTURI</b><br>1. External fuel pump pulse connection                                   | <b>HR-39A</b> | <b>1-9/32" VENTURI</b><br>1. External fuel pump pulse connection                                   |
| <b>HR-25A</b> | <b>1-3/16" VENTURI</b><br>1. External fuel pump pulse connection                                   | <b>HR-40A</b> | <b>1-9/32" VENTURI</b><br>1. Internal fuel pump pulse connection                                   |
| <b>HR-26A</b> | <b>1-3/16" VENTURI</b><br>1. External fuel pump pulse connection                                   | <b>HR-41A</b> | <b>1-3/16" VENTURI</b><br>1. External fuel pump pulse connection                                   |
| <b>HR-27A</b> | <b>1-3/16" VENTURI</b><br>1. External fuel pump pulse connection                                   | <b>HR-42A</b> | <b>1-9/32" VENTURI</b><br>1. External fuel pump pulse connection<br>2. Fuel re-circulating fitting |
| <b>HR-28A</b> | <b>1-3/16" VENTURI</b><br>1. External fuel pump pulse connection                                   | <b>HR-43A</b> | <b>1-9/32" VENTURI</b><br>1. External fuel pump pulse connection                                   |
| <b>HR-29A</b> | <b>1-3/16" VENTURI</b><br>1. External fuel pump pulse connection                                   | <b>HR-44A</b> | <b>1-9/32" VENTURI</b><br>1. External fuel pump pulse connection                                   |
| <b>HR-30A</b> | <b>1-9/32" VENTURI</b><br>1. External fuel pump pulse connection                                   | <b>HR-45A</b> | <b>1-3/16" VENTURI</b><br>1. External fuel pump pulse connection                                   |
| <b>HR-31A</b> | <b>1-3/16" VENTURI</b><br>1. External fuel pump pulse connection                                   | <b>HR-46A</b> | <b>1-3/16" VENTURI</b><br>1. External fuel pump pulse connection                                   |
| <b>HR-32A</b> | <b>1-3/16" VENTURI</b><br>1. External fuel pump pulse connection                                   | <b>HR-47A</b> | <b>1-3/16" VENTURI</b><br>1. External fuel pump pulse connection                                   |
| <b>HR-33A</b> | <b>1-3/16" VENTURI</b><br>1. Internal fuel pump pulse connection                                   | <b>HR-48A</b> | <b>1-9/32" VENTURI</b><br>1. External fuel pump pulse connection                                   |
| <b>HR-34A</b> | <b>1-3/16" VENTURI</b><br>1. External fuel pump pulse connection<br>2. Fuel re-circulating fitting | <b>HR-49A</b> | <b>1-9/32" VENTURI</b><br>1. External fuel pump pulse connection                                   |
| <b>HR-35A</b> | <b>1-9/32" VENTURI</b><br>1. External fuel pump pulse connection                                   | <b>HR-50A</b> | <b>1-3/16" VENTURI</b><br>1. External fuel pump pulse connection                                   |
| <b>HR-36A</b> | <b>1-9/32" VENTURI</b><br>1. Internal fuel pump pulse connection                                   | <b>HR-51A</b> | <b>1-9/32" VENTURI</b><br>1. External fuel pump pulse connection                                   |
| <b>HR-37A</b> | <b>1-3/16" VENTURI</b><br>1. Internal fuel pump pulse connection<br>2. Fuel re-circulating fitting | <b>HR-52A</b> | <b>1-3/16" VENTURI</b><br>1. External fuel pump pulse connection                                   |



|               |  |               |  |
|---------------|--|---------------|--|
| <b>HR-53A</b> | <b>1-9/32" VENTURI</b> <ol style="list-style-type: none"><li>1. External fuel pump pulse connection</li><li>2. Fuel re-circulating fitting</li></ol> | <b>HR-66A</b> | <b>1-3/16" VENTURI</b> <ol style="list-style-type: none"><li>1. External fuel pump pulse connection</li></ol>  |
| <b>HR-54A</b> | <b>1-9/32" VENTURI</b> <ol style="list-style-type: none"><li>1. Internal fuel pump pulse connection</li></ol>  | <b>HR-67A</b> | <b>1-9/32" VENTURI</b> <ol style="list-style-type: none"><li>1. External fuel pump pulse connection</li></ol>  |
| <b>HR-55A</b> | <b>1-9/32" VENTURI</b> <ol style="list-style-type: none"><li>1. External fuel pump pulse connection</li></ol>  | <b>HR-68A</b> | <b>1-3/16" VENTURI</b> <ol style="list-style-type: none"><li>1. Internal fuel pump pulse connection</li></ol>  |
| <b>HR-56A</b> | <b>1-9/32" VENTURI</b> <ol style="list-style-type: none"><li>1. Internal fuel pump pulse connection</li></ol>  | <b>HR-69A</b> | <b>1-9/32" VENTURI</b> <ol style="list-style-type: none"><li>1. Internal fuel pump pulse connection</li><li>2. Fuel re-circulating fitting</li></ol> |
| <b>HR-57A</b> | <b>1-9/32" VENTURI</b> <ol style="list-style-type: none"><li>1. External fuel pump pulse connection</li><li>2. Fuel re-circulating fitting</li></ol> | <b>HR-70A</b> | <b>1-9/32" VENTURI</b> <ol style="list-style-type: none"><li>1. External fuel pump pulse connection</li></ol>  |
| <b>HR-58A</b> | <b>1-3/16" VENTURI</b> <ol style="list-style-type: none"><li>1. Internal fuel pump pulse connection</li></ol>  | <b>HR-71A</b> | <b>1-3/16" VENTURI</b> <ol style="list-style-type: none"><li>1. Internal fuel pump pulse connection</li></ol>  |
| <b>HR-59A</b> | <b>1-9/32" VENTURI</b> <ol style="list-style-type: none"><li>1. External fuel pump pulse connection</li></ol>  | <b>HR-72A</b> | <b>1-9/32" VENTURI</b> <ol style="list-style-type: none"><li>1. Internal fuel pump pulse connection</li></ol>  |
| <b>HR-60A</b> | <b>1-9/32" VENTURI</b> <ol style="list-style-type: none"><li>1. External fuel pump pulse connection</li><li>2. Fuel re-circulating fitting</li></ol> | <b>HR-73A</b> | <b>1-3/16" VENTURI</b> <ol style="list-style-type: none"><li>1. Internal fuel pump pulse connection</li><li>2. Fuel re-circulating fitting</li></ol> |
| <b>HR-61A</b> | <b>1-3/16" VENTURI</b> <ol style="list-style-type: none"><li>1. External fuel pump pulse connection</li><li>2. Fuel re-circulating fitting</li></ol> | <b>HR-74A</b> | <b>1-9/32" VENTURI</b> <ol style="list-style-type: none"><li>1. Internal fuel pump pulse connection</li><li>2. Fuel re-circulating fitting</li></ol> |
| <b>HR-62A</b> | <b>1-3/16" VENTURI</b> <ol style="list-style-type: none"><li>1. External fuel pump pulse connection</li><li>2. Fuel re-circulating fitting</li></ol> | <b>HR-75A</b> | <b>1-9/32" VENTURI</b> <ol style="list-style-type: none"><li>1. Internal fuel pump pulse connection</li><li>2. Fuel re-circulating fitting</li></ol> |
| <b>HR-63A</b> | <b>1-9/32" VENTURI</b> <ol style="list-style-type: none"><li>1. External fuel pump pulse connection</li><li>2. Fuel re-circulating fitting</li></ol> | <b>HR-76A</b> | <b>1-9/32" VENTURI</b> <ol style="list-style-type: none"><li>1. Internal fuel pump pulse connection</li><li>2. Fuel re-circulating fitting</li></ol> |
| <b>HR-64A</b> | <b>1-3/16" VENTURI</b> <ol style="list-style-type: none"><li>1. External fuel pump pulse connection</li><li>2. Fuel re-circulating fitting</li></ol> | <b>HR-77A</b> | <b>1-9/32" VENTURI</b> <ol style="list-style-type: none"><li>1. Internal fuel pump pulse connection</li><li>2. Fuel re-circulating fitting</li></ol> |
| <b>HR-65A</b> | <b>1-3/16" VENTURI</b> <ol style="list-style-type: none"><li>1. External fuel pump pulse connection</li><li>2. Fuel re-circulating fitting</li></ol> | <b>HR-78A</b> | <b>1-3/16" VENTURI</b> <ol style="list-style-type: none"><li>1. External fuel pump pulse connection</li></ol>  |
|               |  | <b>HR-79B</b> | <b>1-9/32" VENTURI</b> <ol style="list-style-type: none"><li>1. External fuel pump pulse connection</li><li>2. Fuel re-circulating fitting</li></ol> |



|               |  |                |  |
|---------------|--|----------------|--|
| <b>HR-81A</b> | <b>1-3/16" VENTURI</b> <ol style="list-style-type: none"><li>1. Internal fuel pump pulse connection</li><li>2. Fuel re-circulating fitting</li></ol> | <b>HR-95A</b>  | <b>1-9/32" VENTURI</b> <ol style="list-style-type: none"><li>1. External fuel pump pulse connection</li></ol>  |
| <b>HR-82A</b> | <b>1-9/32" VENTURI</b> <ol style="list-style-type: none"><li>1. External fuel pump pulse connection</li><li>2. Fuel re-circulating fitting</li></ol> | <b>HR-96A</b>  | <b>1-3/16" VENTURI</b> <ol style="list-style-type: none"><li>1. External fuel pump pulse connection</li><li>2. Fuel re-circulating fitting</li></ol> |
| <b>HR-83A</b> | <b>1-3/16" VENTURI</b> <ol style="list-style-type: none"><li>1. Internal fuel pump pulse connection</li></ol>  | <b>HR-97A</b>  | <b>1-9/32" VENTURI</b> <ol style="list-style-type: none"><li>1. External fuel pump pulse connection</li><li>2. Fuel re-circulating fitting</li></ol> |
| <b>HR-84A</b> | <b>1-3/16" VENTURI</b> <ol style="list-style-type: none"><li>1. External fuel pump pulse connection</li></ol>  | <b>HR-98A</b>  | <b>1-3/16" VENTURI</b> <ol style="list-style-type: none"><li>1. External fuel pump pulse connection</li></ol>  |
| <b>HR-85A</b> | <b>1-3/16" VENTURI</b> <ol style="list-style-type: none"><li>1. External fuel pump pulse connection</li></ol>  | <b>HR-99A</b>  | <b>1-3/16" VENTURI</b> <ol style="list-style-type: none"><li>1. External fuel pump pulse connection</li><li>2. Fuel re-circulating fitting</li></ol> |
| <b>HR-86A</b> | <b>1-3/16" VENTURI</b> <ol style="list-style-type: none"><li>1. External fuel pump pulse connection</li><li>2. Fuel re-circulating fitting</li></ol> | <b>HR-100A</b> | <b>1-3/16" VENTURI</b> <ol style="list-style-type: none"><li>1. External fuel pump pulse connection</li><li>2. Fuel re-circulating fitting</li></ol> |
| <b>HR-87A</b> | <b>1-3/16" VENTURI</b> <ol style="list-style-type: none"><li>1. Internal fuel pump pulse connection</li><li>2. Fuel re-circulating fitting</li></ol> | <b>HR-101A</b> | <b>1-3/16" VENTURI</b> <ol style="list-style-type: none"><li>1. External fuel pump pulse connection</li></ol>  |
| <b>HR-88A</b> | <b>1-3/16" VENTURI</b> <ol style="list-style-type: none"><li>1. Internal fuel pump pulse connection</li></ol>  | <b>HR-102A</b> | <b>1-9/32" VENTURI</b> <ol style="list-style-type: none"><li>1. External fuel pump pulse connection</li></ol>  |
| <b>HR-89A</b> | <b>1-3/16" VENTURI</b> <ol style="list-style-type: none"><li>1. External fuel pump pulse connection</li><li>2. Fuel re-circulating fitting</li></ol> | <b>HR-103A</b> | <b>1-3/16" VENTURI</b> <ol style="list-style-type: none"><li>1. External fuel pump pulse connection</li><li>2. Fuel re-circulating fitting</li></ol> |
| <b>HR-90A</b> | <b>1-3/16" VENTURI</b> <ol style="list-style-type: none"><li>1. External fuel pump pulse connection</li><li>2. Fuel re-circulating fitting</li></ol> | <b>HR-104A</b> | <b>1-9/32" VENTURI</b> <ol style="list-style-type: none"><li>1. Internal fuel pump pulse connection</li></ol>  |
| <b>HR-91A</b> | <b>1-9/32" VENTURI</b> <ol style="list-style-type: none"><li>1. External fuel pump pulse connection</li><li>2. Fuel re-circulating fitting</li></ol> | <b>HR-105A</b> | <b>1-9/32" VENTURI</b> <ol style="list-style-type: none"><li>1. External fuel pump pulse connection</li><li>2. Fuel re-circulating fitting</li></ol> |
| <b>HR-92A</b> | <b>1-3/16" VENTURI</b> <ol style="list-style-type: none"><li>1. External fuel pump pulse connection</li></ol>  | <b>HR-106A</b> | <b>1-3/16" VENTURI</b> <ol style="list-style-type: none"><li>1. External fuel pump pulse connection</li><li>2. Fuel re-circulating fitting</li></ol> |
| <b>HR-93A</b> | <b>1-3/16" VENTURI</b> <ol style="list-style-type: none"><li>1. External fuel pump pulse connection</li></ol>  | <b>HR-107A</b> | <b>1-9/32" VENTURI</b> <ol style="list-style-type: none"><li>1. External fuel pump pulse connection</li></ol>  |
| <b>HR-94A</b> | <b>1-3/16" VENTURI</b> <ol style="list-style-type: none"><li>1. External fuel pump pulse connection</li></ol>  | <b>HR-108A</b> | <b>1-3/16" VENTURI</b> <ol style="list-style-type: none"><li>1. Internal fuel pump pulse connection</li><li>2. Fuel re-circulating fitting</li></ol> |